

DOSKO

M2964051A

MODEL NUMBER: 2964051

SERIAL NUMBER: _____

Owner's Manual

Instructions for Assembly and Safety

Low Speed Tow Package for 4" Chipper

2964051 Tow Package: Model 2964050

WARNING

READ and UNDERSTAND this manual completely before using this tow package.

All operators of this equipment must read and completely understand all safety information, operating instructions.

Improper use of the tow package could result in serious injury to the operator or nearby persons.

Any Questions, Comments, Problems, or Parts Orders
Call your dealer or DOSKO Customer Service 1-800-822-0295

Hazard Signal Word Definitions






	<p>This is the safety alert symbol. It is used to alert you to potential personal injury hazards. Obey all safety messages that follow this symbol to avoid possible injury or death.</p>
	<p>DANGER (red) indicates an imminently hazardous situation which, if not avoided, will result in death or serious injury.</p>
	<p>WARNING (orange) indicates a potentially hazardous situation which, if not avoided, could result in death or serious injury.</p>
	<p>CAUTION (yellow) indicates a potentially hazardous situation which, if not avoided, may result in minor or moderate injury.</p>
	<p>CAUTION (yellow) used without the safety alert symbol indicates a potentially hazardous situation which, if not avoided, may result in property damage.</p>

fig01453

Table of Contents

Safety Label Location 4

Machine Components Identification 5

Towing Instructions..... 6

Specifications 8

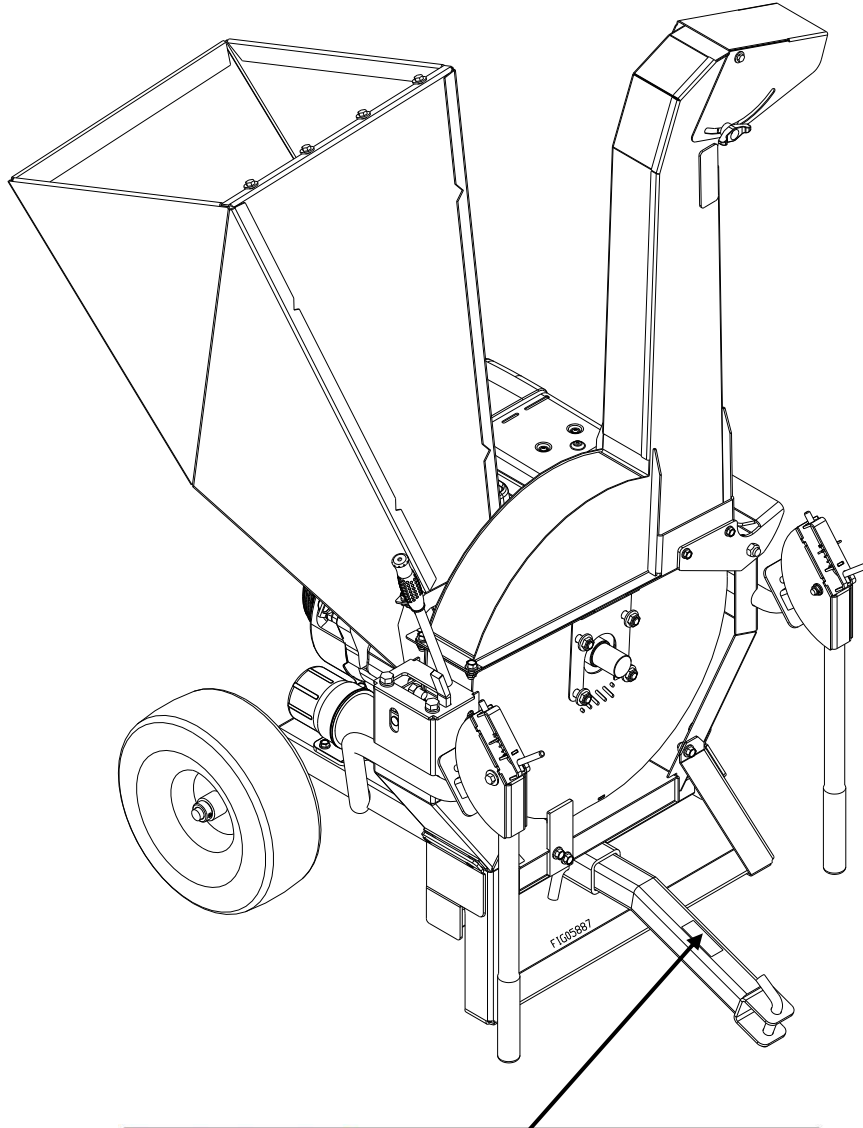
Parts Breakdown – Exploded View 9

Safety Instructions 10

Installation Instructions 11

Limited Warranty 17

Safety Decal Locations

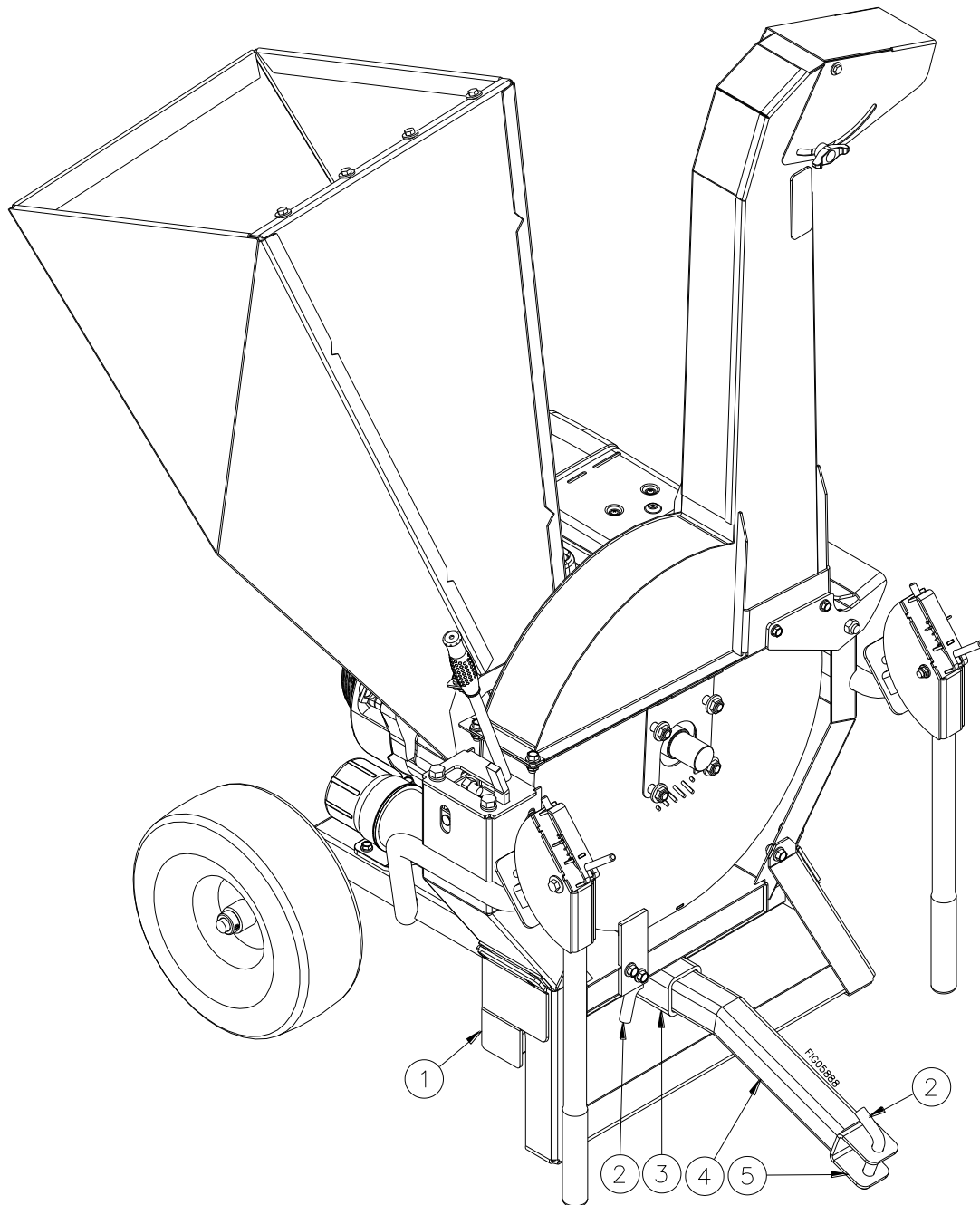


To order replacement safety label part #795287, call Dosko Customer Service at 1-800-822-0295 or 1-763-428-2237.

WARNING

ALWAYS make sure safety labels are in place and in good condition. If a safety label is missing or not legible, order new labels.

Machine Components Identification



- 1.) **Tow Kit Weldment.** Bolts to chipper
- 2.) **Hitch Pin.** Locks tow bar into tow socket and hitch bracket to tow vehicle
- 3.) **Tow Bar Socket.** Connects the tow bar to the chipper
- 4.) **Tow Bar.** Connects the chipper to the tow vehicle
- 5.) **Hitch bracket.** Allows the trailer unit to be hooked up to pin style hitch

Towing Instructions

IMPORTANT!

See Assembly Instructions section of this manual to assemble the chipper tow package.

Now that you have installed the chipper tow package, there is some important safety information you need to know with regard to vehicle handling with the chipper attached.

Step One. Inspect/Repair

Chipper must be inspected prior to EACH USE.

⚠ WARNING

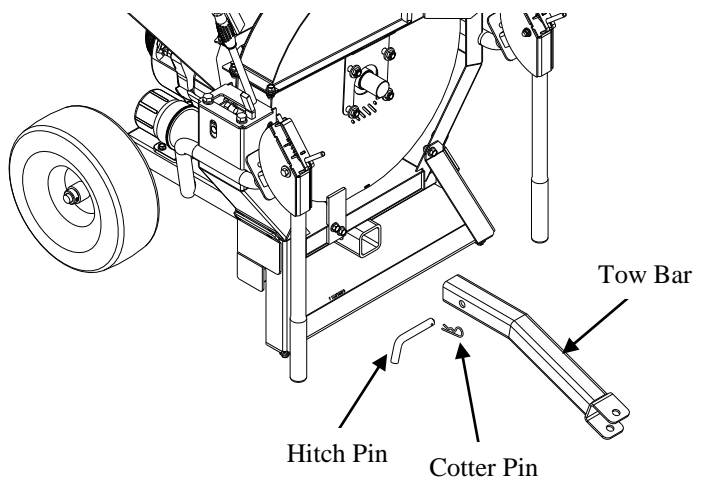
Read instructions below carefully for inspecting and preparing the chipper for towing. Damaged or missing components could result in injury to the operator, bystanders, or property damage.

Important safety rules:

- **Replacement parts.** If a part needs replacement, only use manufacturer provided parts. Replacement parts that do not meet specifications may result in a safety hazard or poor operation.

Inspect and repair	<p>Inspect and test the chipper tow kit thoroughly</p> <p>a. Make sure tires are fully inflated and in good repair (see tire sidewall for recommended tire pressure).</p> <p>⚠ WARNING:</p> <ul style="list-style-type: none">• Do not over-inflate tires. Serious injury can occur if tire explodes.• When seating a bead after repair, do not exceed 30 PSI. Pressures higher than 30 PSI can cause the tire and wheel to rupture and explode. <p>b. Check to be sure that all nuts and bolts are tight.</p>
---------------------------	---

Step Two. Towing

1. Read instructions	Review towing safety instructions in your vehicle manual.
2. Tow bar is secured and locked	<p>Insert the tow bar into the tow bar socket. Secure the hitch pin with the cotter pin.</p> 

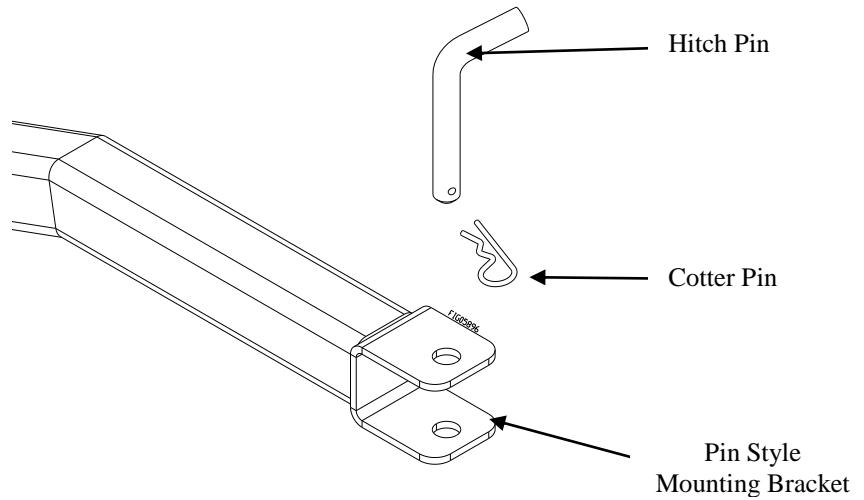
Towing Instructions

3. Attach to hitch

Attach chipper to vehicle hitch.

Each state has legal requirements for towing equipment and trailers (such as lighting and licensing). Be sure hitch on towing vehicle is bolted tightly. Check that the towing vehicle capability meets the weight requirement (the chipper weighs approximately 400 pounds) and has correct hitch type. Ensure you are following all local and national towing regulations.

1. Attach chipper to pin style hitch mount.
2. Lock in place using hitch pin and cotter pin.



4. Tow to desired location

Tow chipper carefully to desired work site.

Important safety instructions:

- **Speed limit.** Never tow this chipper over 5 mph. Faster speeds may result in loss of control.
- **Added length.** Be aware of the added length of the chipper.
- **Rough terrain.** Drive slowly and take extra caution when traveling over rough terrain.
- **Incline.** Do not tow the chipper sideways on an incline, the chipper is top heavy and may tip.
- **Unattended.** Turn off the towing vehicle before leaving the chipper unattended.
- **Under the influence.** Never tow or operate this chipper while under the influence of alcohol, drugs, or medication.

5. Remove tow bar after towing

Remove tow bar after towing and before operating your chipper.

NEVER operate chipper while the tow bar is attached. Tow kit weldment may remain bolted to chipper, but tow bar must be removed from tow socket.

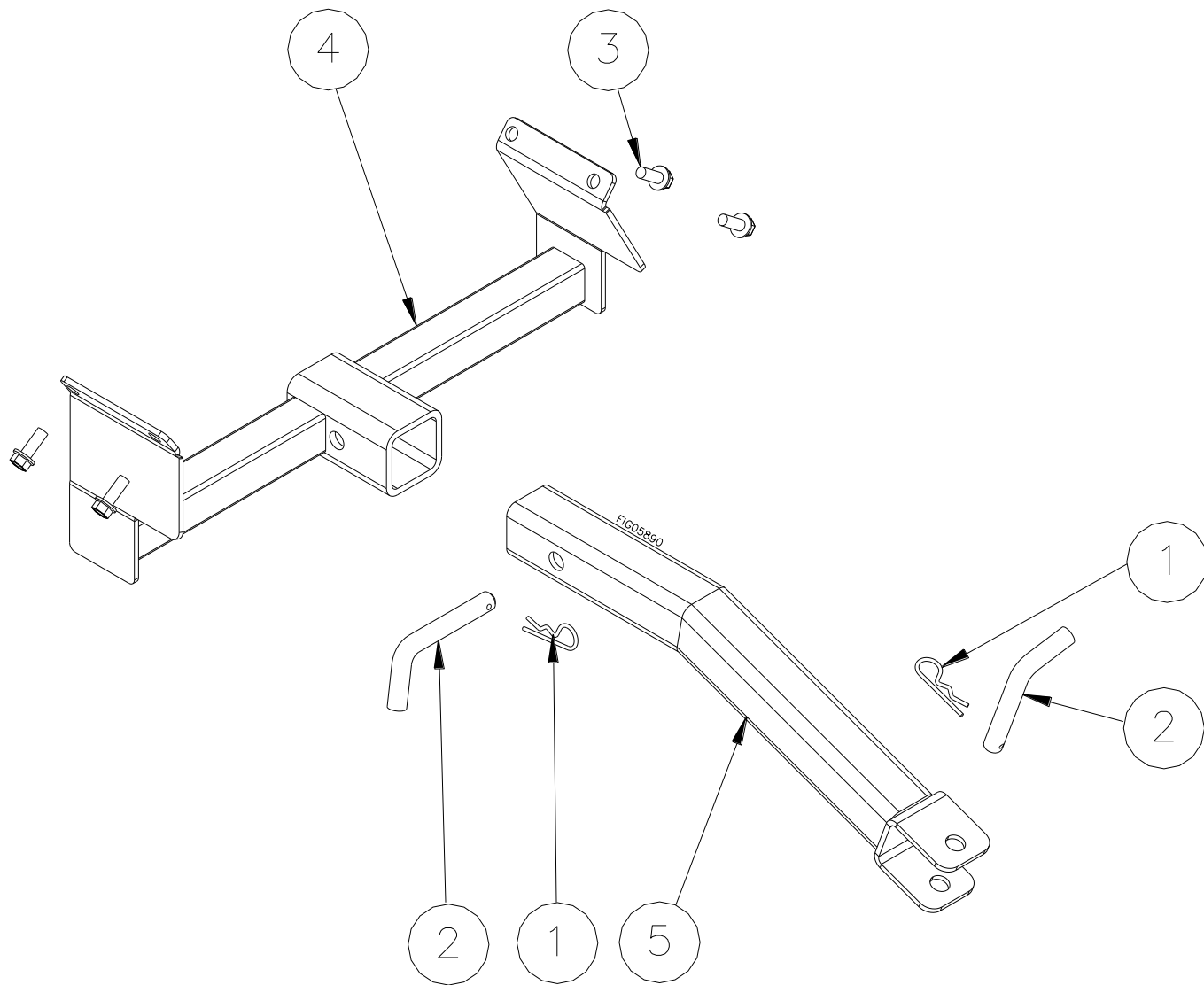
Specifications

Maximum Towing Speed.....	5 MPH
Overall Dimensions (boxed).....	22”L x 16”W x 7 ”H
Weight (shipping).....	20 lbs.

The manufacturer reserves the right to make improvements in design and/or changes in specifications at any time without incurring any obligation to install them on units previously sold.

Any Questions, Comments, Problems, or Parts Orders
Call your dealer or DOSKO Customer Service 1-800-822-0295 or 1-763-428-2237

Parts Breakdown – Exploded View- Rev A



Item	Part #	Description	Qty
1	30312	Cotter pin	2
2	37459	Hitch Pin	2
3	82023	3/8" - 16 x 1" Bolt	4
4	794428	Tow Kit Weldment	1
5	794432	Tow Bar Weldment	1

Safety Instructions

WARNING

Carefully read and make sure you understand the following safety information before towing the chipper.

Improper use or maintenance of the chipper can result in serious injury to the operator or bystanders.

Safety in Moving and Towing the Chipper

WARNING

The chipper is very heavy. It can crush and cause serious injury if it rolls out of control or tips over. Follow the instructions below for safely moving and towing the chipper.

Safety – Before Use

Always inspect your chipper before each use, and repair as needed, to keep it in safe working condition:

- **Read manual.** Do not allow anyone to tow the chipper who has not read the Owner's Manual.
- **Review safety rules.** Before towing this chipper, review the instructions for safe towing. Failure to follow these instructions may result in serious injury to the operator or bystanders.
- **Mechanical parts.** Check to be sure all nuts and bolts are tight to make sure the chipper is in safe working condition.
- **Tires.** Be sure tires are fully inflated and in good repair before towing the chipper. When adding air to tires, do not over-inflate -- serious injury could occur if tire explodes.

Safety During Towing

- **Read instructions.** Review towing safety instructions in your towing vehicle manual.
- **Securely attached.** Be sure the chipper is securely attached to the towing vehicle before towing.
- **Tires.** Be sure tires are fully inflated and in good repair before towing the chipper. When adding air to tires, do not over-inflate -- serious injury could occur if tire explodes.
- **Added length.** Be aware of the added length of the chipper.
- **Speed limit.** Never tow this chipper over 5 mph. Faster speeds may result in loss of control.
- **Rough terrain.** Be extra cautious and drive slowly when traveling over rough terrain.
- **Incline.** Do not tow the chipper sideways on an incline, the chipper is top heavy and may tip.
- **Under the influence.** Never tow this chipper while under the influence of alcohol, drugs, or medication.
- **Unattended.** Turn off the towing vehicle before leaving the chipper unattended.
- **Disconnect before operate.** Do not use the chipper while it is connected to the towing vehicle.

Safety – After use

- **Periodic maintenance.** Perform periodic maintenance as directed in this manual to keep the chipper in safe working condition.

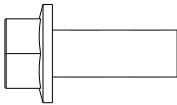
Installation Instructions

WARNING

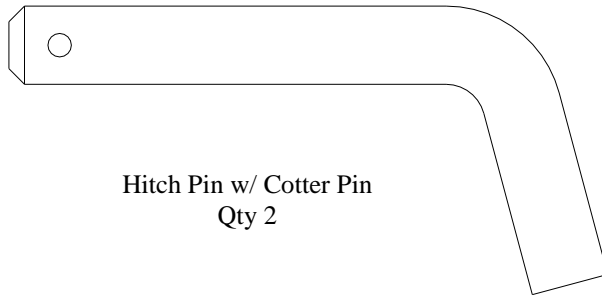
ALWAYS shut off the engine, make sure the engine is cool, and disconnect the spark plug before cleaning, adjusting, or servicing the chipper. Make sure all guards and shields are replaced before using.

Closely inspect all contents in the shipping carton.

- **If you have damaged components:** Contact the freight company that delivered the unit and file a claim.
- **If you have missing components:** Contact Dosko Customer Service at 1-800-822-0295.



3/8" – 16 x 1" HHFSF
Qty 4



Hitch Pin w/ Cotter Pin
Qty 2

Installation Instructions

Step 1 – Place chipper on jack stand

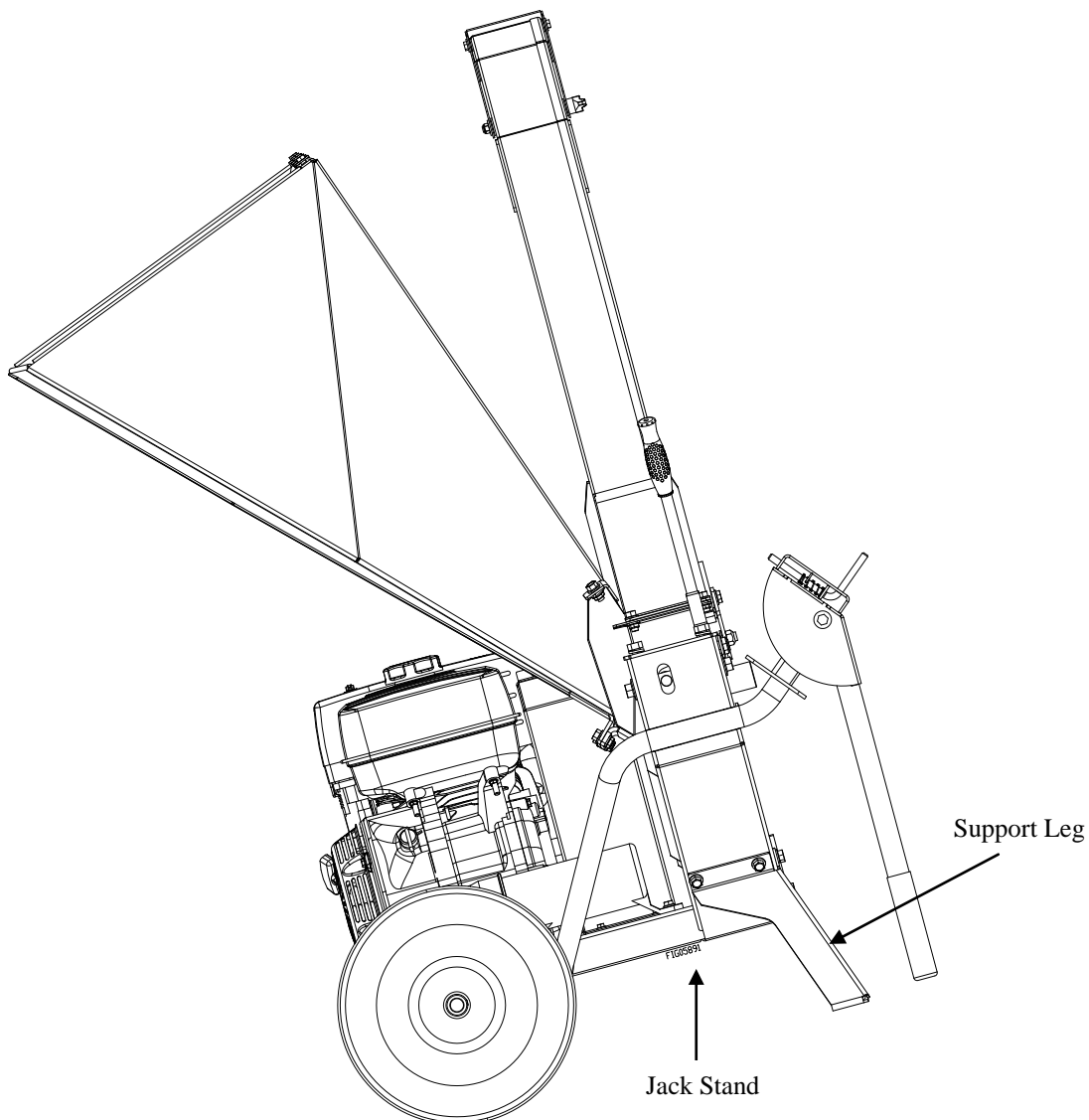
- On a flat surface place chipper onto a jack stand so front support legs are off the ground.
- Make sure chipper is stable before proceeding to next step.

Tools Needed

- None

WARNING

The chipper is very heavy. It can crush and cause serious injury if it tips over.



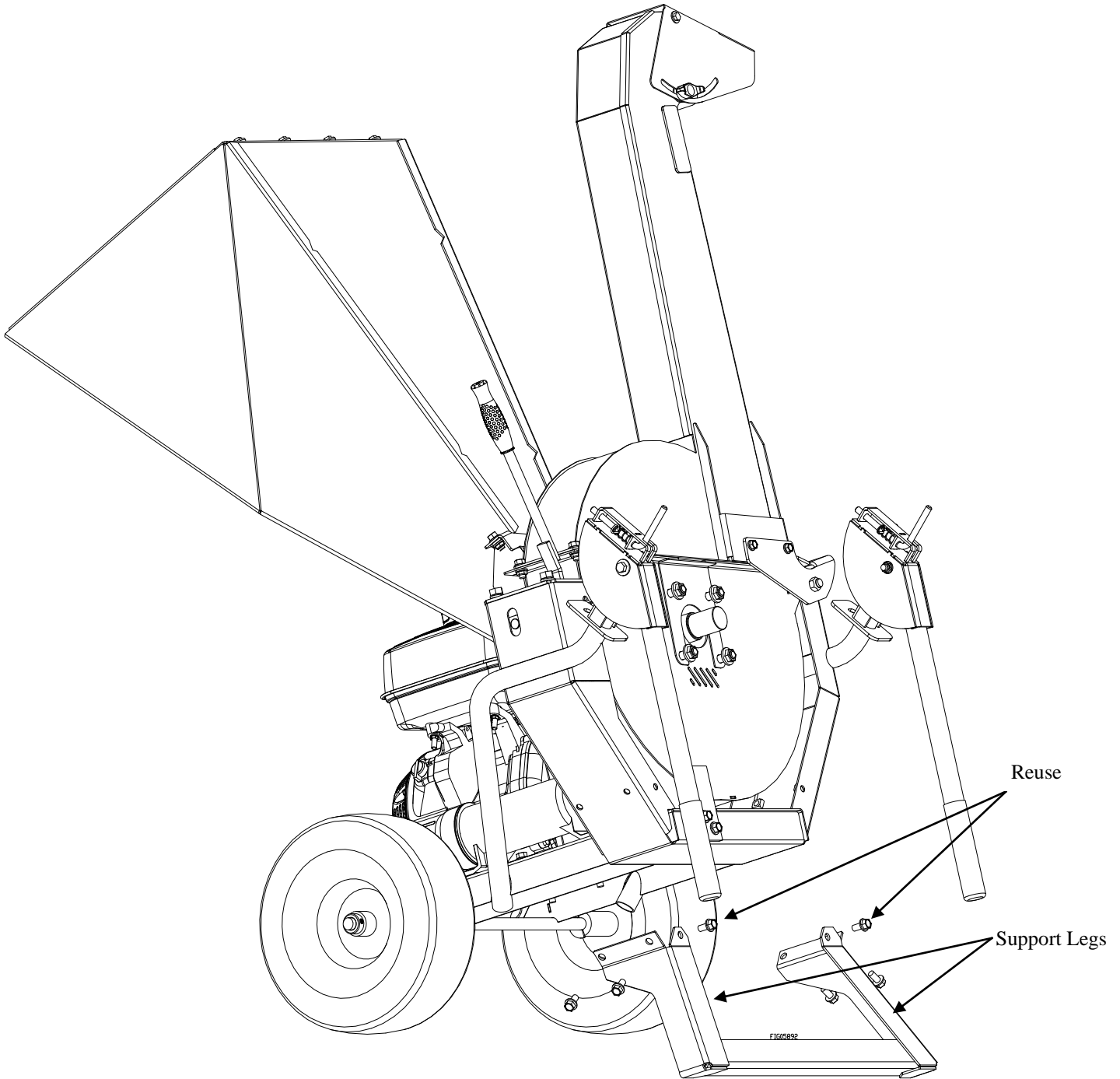
Installation Instructions

Step 2 – Remove support legs

- Remove (6) bolts to uninstall support legs from chipper. Save the (2) front bolts to be reused later.

Tools Needed

- Ratchet
- 9/16" Socket



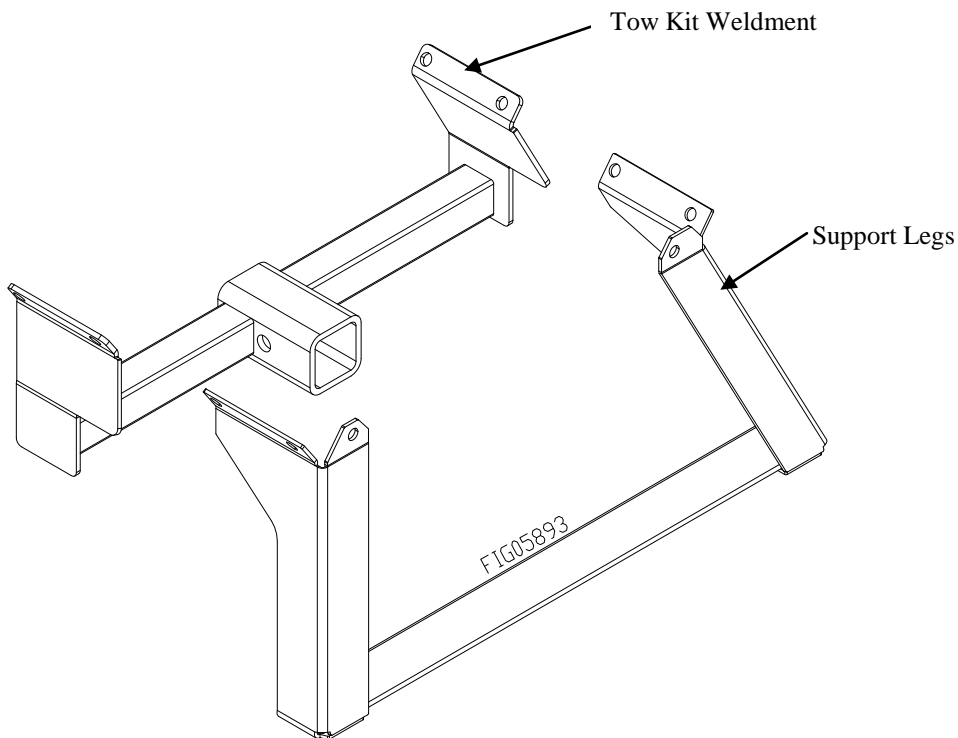
Installation Instructions

Step 3 – Attach tow kit to support legs

- Slide tow kit weldment onto chipper support legs and align holes. Tow kit weldment brackets will nest on the outside of the support legs.

Tools Needed

- None



Installation Instructions

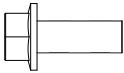
Step 4 – Attach tow kit and support legs to chipper

- Reinstall the support legs with the tow kit weldment attached.
- Align all holes and thread bolts through by hand. Do not tighten until all bolts have been started. Use the (2) bolts from Step 2 for the front holes. Use the (4) bolts supplied with the tow kit for the remaining holes.
- Torque to 34 Ft.-Lbs.
- Remove jack stand and place chipper back on the ground.

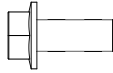
Tools Needed

- Ratchet
- Torque Wrench
- 9/16" Socket

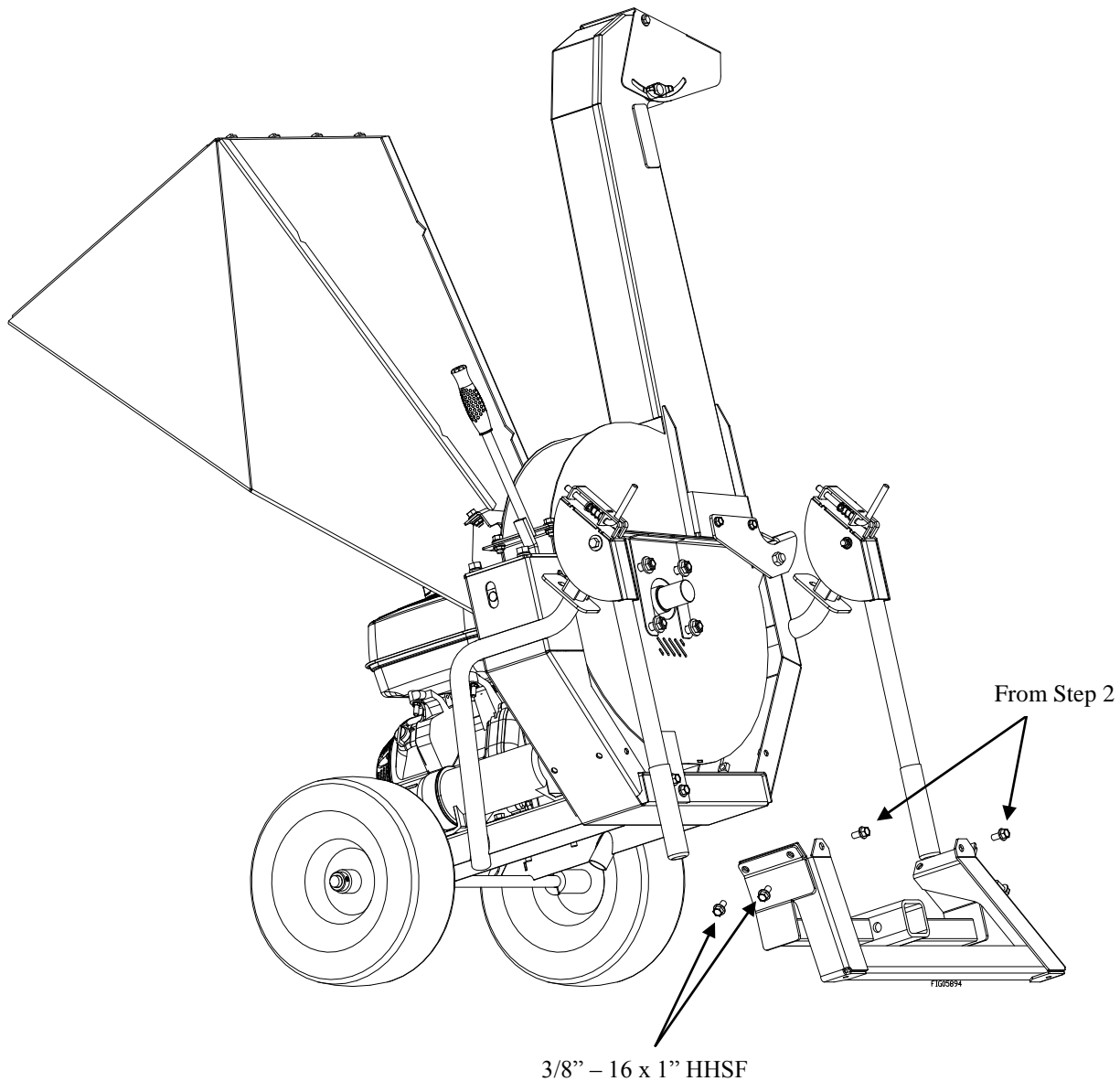
Fasteners Needed:



3/8" – 16 x 1" HHSF
Qty 4



3/8" – 16 x 3/4" HHSF
Qty 2 (From Step 2)



Installation Instructions

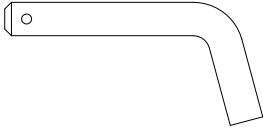
Step 5 – Attach tow bar

- Slide the tow bar into the tow bar socket and secure with hitch pin.
- Lock hitch pin into position using cotter pin.

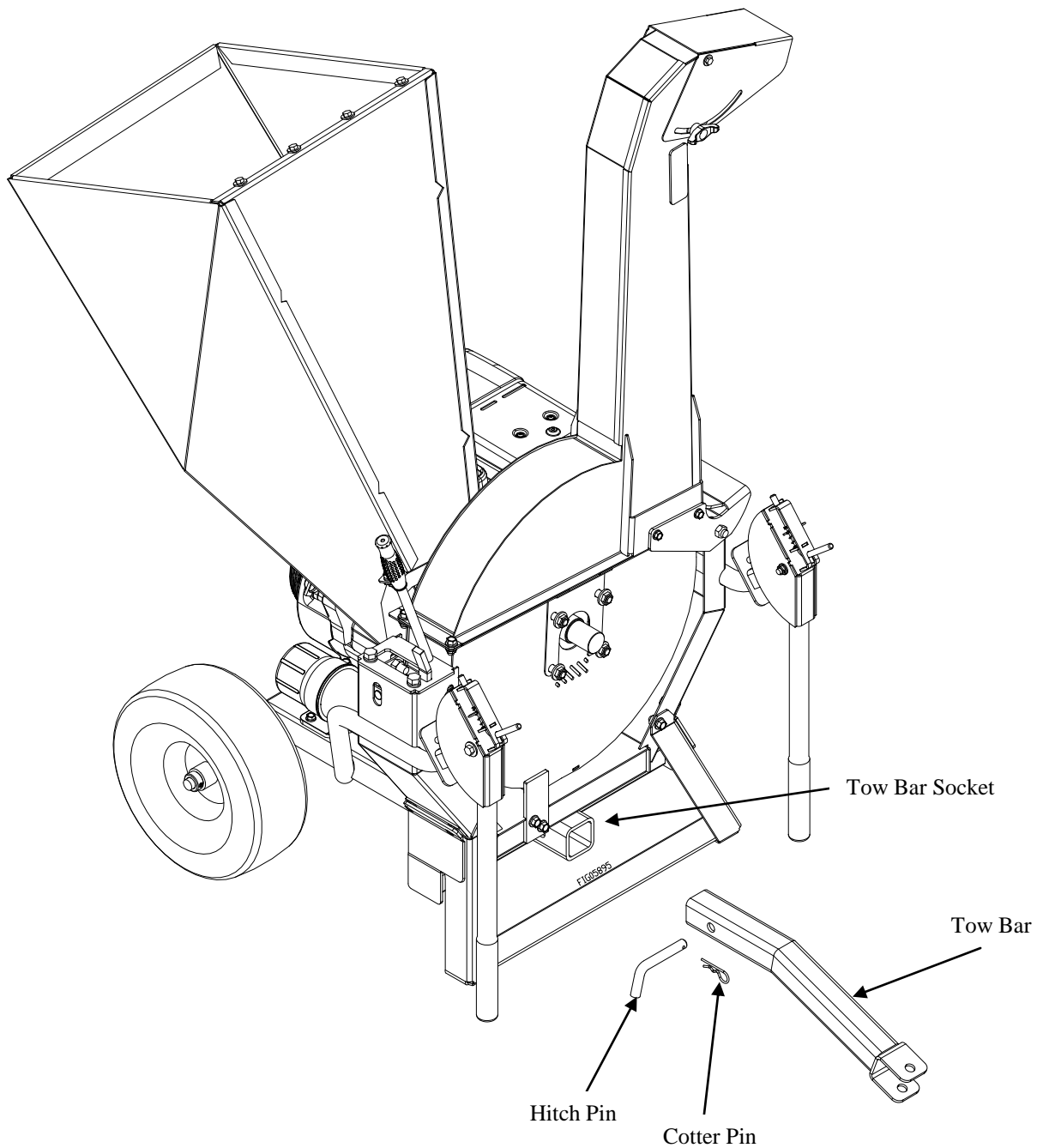
Tools Needed

- None

Fasteners Needed:



Hitch Pin w/ Cotter Pin
Qty 1



Limited Warranty Policy

Dear Valued Customer:

The Dosko product you just purchased is built with the finest material and craftsmanship. Use this product properly and enjoy the benefits from its high performance. By purchasing a Dosko product, you show a desire for quality and durability. Like all mechanical equipment this unit requires a due amount of care. Treat this unit like the high quality piece of machinery it is. Neglect and improper handling may impair its performance.

Thoroughly read the instructions and understand the operation before using your product. Always contact Dosko Product Support at 1-866-298-3659 prior to having any service or warranty work performed, as some services performed by parties other than Dosko approved service centers may void this warranty. This limited warranty is in lieu of any other warranty expressed or implied, written or oral and Dosko assumes no other responsibility or liability outside that expressed within this limited warranty.

Limited Warranty:

	Consumer Warranty Period	Commercial Warranty Period
Weldments	2 years from date of purchase by user	2 year from date of purchase by user
Hydraulic Motor, Valves, Pumps	2 years from date of purchase by user	1 year from date of purchase by user
Wear Parts	In addition to the normal warranty, Dosko shall warrant some normal wear items from defects in material or workmanship for a period of 30 days from the date of purchase by user. Normal wear items covered under this warranty are limited to: tires, belts, grease zerks, hoses, bearings, hoses, teeth, pockets, bolts, clutches, switches, wires, cables. Routine maintenance items such as lubricants, clutch adjustments, tune ups are not covered under warranty.	
Engines	The engine warranty is covered under the terms and conditions as outlined by the engine manufactures warranty contained herein and is the sole responsibility of the engine manufacturer. Normal engine maintenance such as spark plugs, oil changes, air filters, adjustments, fuel system cleaning and obstruction due to build up is not covered by this Dosko limited warranty.	

“**Consumer use**” means personal residential household use by a consumer. “**Commercial use**” means all other uses, including, but not limited to, use for commercial, income producing or rental purposes or when purchased by a business.

This limited warranty applies to the original purchaser of the equipment (verification of purchase, in the form of a receipt, is the responsibility of the buyer), is non-transferable, and covers parts and labor. Parts will be replaced or repaired at no charge, except when the equipment has failed due to lack of proper maintenance. If a part is no longer available, the part may be replaced with a similar part of equal function. Any misuse, abuse, alteration or improper installation or operations will void warranty. Determining whether a part is to be replaced or repaired is the sole decision of Dosko. Dosko will not provide for replacement of complete products due to defective parts. Any costs incurred due to replacement or repair of items outside of a Dosko approved facility is the responsibility of the buyer and not covered under warranty. Transportation costs to and from service center and/or service calls are the responsibility of the customer.

This limited warranty specifically excludes the following; failure of parts due to damage caused by accident, fire, flood, windstorm, acts of God, applications not approved by Dosko in writing, corrosion caused by chemicals, use of replacement parts which do not conform to manufacturer’s specifications, damage related to rodent and/or insect infestation and damage caused by vandalism. Additional exclusions: loss of running time, inconvenience, loss of income, or loss of use, including any implied warranty of merchantability of fitness for a specific use. Also, outdoor power equipment needs periodic parts and service to perform well, and this limited warranty does not cover instances when normal use has exhausted the life of a component or the engine.

This limited warranty does not cover any personal injury or damage to surrounding property caused by failure of any part, misuse or inability to use the product. Alteration of the product, including safety features, shall void this limited warranty.

Repair or replacement of parts does not extend the warranty period. This limited warranty gives you specific legal rights. You may also have other rights that vary by state.

Please have model number, item number and serial number on hand prior to making a warranty claim or inquiry.

DOSKO

Great Northern Equipment Distributing Inc.
20195 S. Diamond Lake Rd, Ste 100
Rogers, MN 55374
Made in USA